



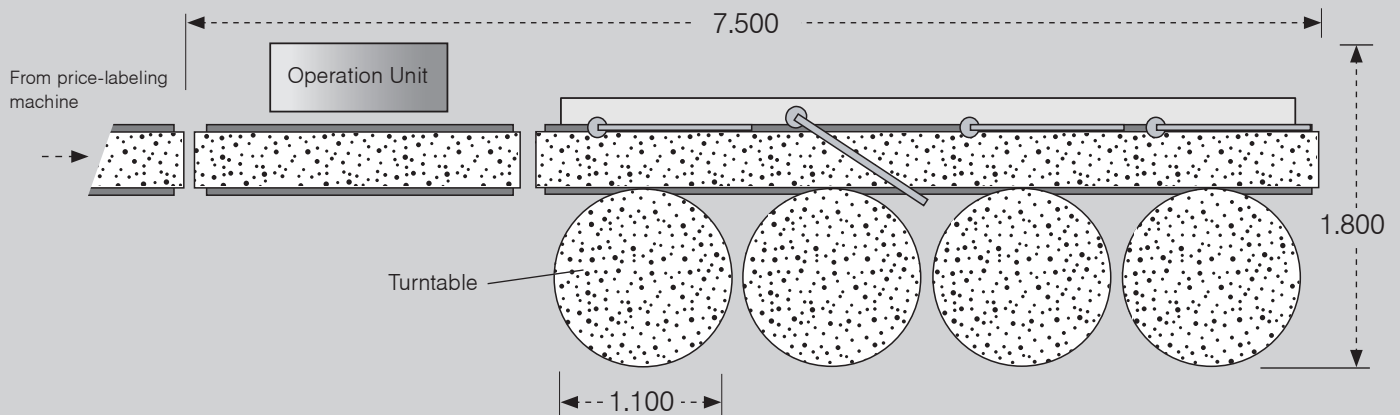
UES-D

Equalizing System with added turntables

For combination weighing and the assembly of batches, boxes and bags with a fixed standard weight. Specially for pressure sensitive foods (vegetables, fruit/bananas)

Technical Drawing

UES - 4 D with added turntables



Circumference of turntables: 1.100 mm
Total width of machine: 1.800 mm
Total length of machine: 7.500 mm

Also available in opposite direction

UES - D Equalizing System with added turntables

System Description

- 4 to 12 channels depending on the criteria which will be applied
- IP 66 protection
- All stainless steel – specially made for fresh foods
- Optimum properties for best hygiene
- Modern PC-compatible operating system based on PC-104 technology
- "Unisort Software" guarantees easy handling for the operator
- High resolution TFT-color-display
- Compact and space-saving construction
- Allows for additional processes like sorting, calibrating and counting
- Allows for simultaneous sorting and equalizing (combination weighing)
- Does not require an independent check weighing system

Technical Options

- Statistics program with printer
- System for the prevention of wrong labeling – Products which are not apt for equalizing will not be labeled.
- Opto-acoustical alarm

Unisort Software

The UNISORT-Software supports complicated combination weighing (equalizing) as well as additional functions like sorting processes (as an option), calibrating and counting. Also the possibility of simultaneous combination weighing and sorting exists. The data input is very user friendly, using only one input-window. Each channel can be programmed for different types of tasks.

Numerous options enable the user to operate the UES according to his own specific requirements. The "statistics" option offers a wide range of statistical production data together with an optional printer for print-outs.

Standard Functions of the Unisort Software

- Easy to use menu for input of basic data and operating parameters.
- Memory for up to 127 sets of products
- Security system for power-failure with data memory
- Possible data transfer from labeling machine (Bizerba, Espera, Leich & Mehl, Cigiemme, Hobart)
- Operation with different function-keys (softkey keyboard)
- "Station ready" automatically or with separate reconfirmation by operator
- Each channel can be programmed individually

Optional Functions of the Unisort Software

- Software upgrade for additional sorting - includes the possibility of a separate data output for each function
- Self-optimization – automatic setting of Pmin and Pmax
- Automatic label control
- "Forced categorization" with choice of parameters – and possible reconfirmation by operator
- Up to six different priority levels (including channel priorities or exclusivities)
- Pre-selection mode – i.e. number of products to be produced
- Correction of statistical data – i.e. deletion of specific cartons or products from the production data list
- Control of throughput – in combination with "forced categorization" or alarm

Technical Data

Measurements	see technical drawing
Power supply	230/380 V 50/60 Hz 6,3 A
Pneumatics	6 bar (30 l/min.)
Output magnetic valves	24 V DC 100 mA
Noise level	61 dB (average), 66 dB (maximum)
Interface	RS 232 C serial for price labeling machine
Throughput max.	up to 150 pcs./min. depending on product
Max. weight of product	up to 1.000 g (with option for more)
Max. weight for batch	depending on size of trays/channels

Illustration



With the aid of specially designed turntables or fruit (bananas) are being sorted avoiding pressure points.